



THE IPEX PROMISE

The IPEX Promise

- The Nedco items listed in this IPEX Promise are guaranteed to be in stock at Nedco when the customer places their order between April 2nd, 2018 and October 31st, 2018.
- If Nedco does not have stock on a guaranteed item to fulfill your order, a credit equivalent to the value of the item will be applied, up to a maximum of \$200.

[Click here to see a list of products in the IPEX Promise at Nedco.ca](#)

Table of Content

Introduction.....	3
Terms & Conditions.....	3
Guranteed Products.....	4
Guranteed Products.....	5
Free T-Shirt Promotion.....	6
Cor-Line Promotion.....	7

The IPEX Promise

The IPEX Promise is a guide that contains essential IPEX products that are available from our inventory. This guide is designed to make your selection easy, showcasing key products from your favourite brand. The items listed in this catalogue are guaranteed to be in stock at Nedco when you place your order. If Nedco does not have stock on a guaranteed item to fulfill your order, a credit will be applied. Please read below for full terms and conditions around this promise.

THE PROMISE:

- The Nedco items listed in this IPEX Promise are guaranteed to be in stock at Nedco when the customer places their order between April 2nd, 2018 and October 31st, 2018.
- If Nedco does not have stock on a guaranteed item to fulfill your order, a credit equivalent to the value of the item will be applied, up to a maximum of \$200.

TERMS & CONDITIONS:

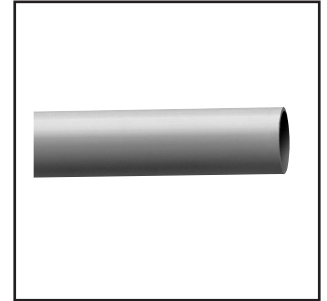
- Only one credit of up to \$200 per customer order - if the order contains multiple promissory items out of stock, only 1 credit applies.
- One qualifying order per customer per day.
- In order to meet the IPEX promise, the customer must place their order before 3PM the same day.
- Nedco has until the end of business the next day to deliver the ordered material from the IPEX Promise
- Items that cannot be delivered due to manufacturer shortages are beyond Nedco's control and will be excluded
- The promise applies only on orders totaling \$2,000 or less
- Nedco reserves the right to modify or terminate the promise without notice.

Guranteed Products



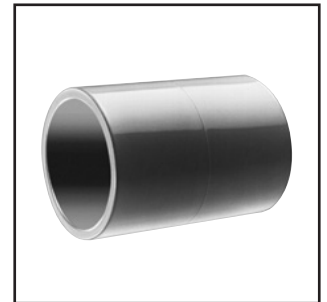
1/2 INCH

IPEPVC1/2X10	1/2 RIGID PVC CONDUIT
IPEEC10	EC10 1/2 COUPLING
IPEEE1090	EE1090 1/2"X90DEG PVC ELBOW W/BELL END
IPEEJ10	EJ10 EXPANSION JOINT 1/2IN
IPEFA10	FA10 FEMALE ADAPTER 1/2IN
IPEJBA10	JBA10 JUNCTION BOX ADAPTER 1/2 INCH
IPEPS10	PS10 PVC PIPESTRAP 1/2 IN
IPESLB10S	SLB10S FITTING 1/2IN
IPETA10	TA10 TERM ADAPTER 1/2IN



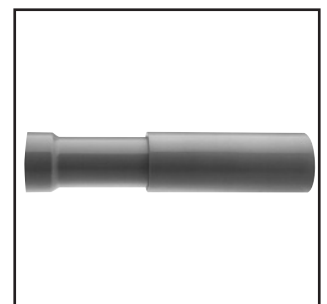
3/4 INCH

IPEPVC3/4X10	3/4 RIGID PVC CONDUIT
IPEEC15	EC15 3/4 COUPLING
IPEEE1590	EE1590 3/4 ELBOW
IPEEJ15	EJ15 EXPANSION JOINT 3/4IN
IPEFA15	FA15 FEMALE ADAPTER 3/4IN
IPEJBA15	JBA15 JUNCTION BOX ADAPTER 3/4 INCH
IPEPS15	PS15 PVC PIPESTRAP 3/4IN 2-HOLE
IPESLB20S	SLB20S FITTING 3/4IN
IPETA15	TA15 TERM ADAPTER 3/4IN



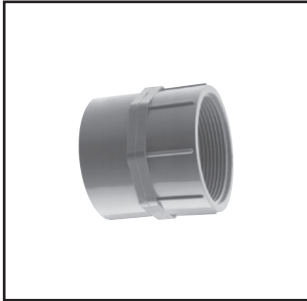
1 INCH

IPEPVC1X10	1 RIGID PVC CONDUIT
IPEEC20	EC20 1IN COUPLING
IPEEE2090	EE2090 1"X90DEG PVC ELBOW W/BELL END
IPEEJ20	EJ20 EXPANSION JOINT 1IN
IPEFA20	FA20 FEMALE ADAPTER 1 IN
IPEJBA20	JBA20 JUNCTION BOX ADAPTER 1 INCH
IPEPS20	PS20 PVC PIPESTRAP 1IN 2-HOLE
IPESLB30S	SLB30S FITTING 1IN
IPETA20	TA20 TERM ADAPTER 1IN



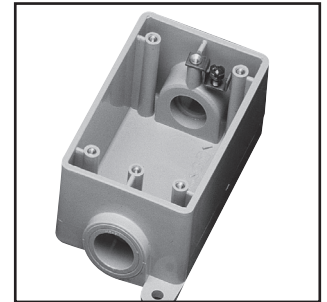
1-1/4 INCH

IPEPVC11/4X10	1-1/4 RIGID PVC CONDUIT 10FT
IPEEC25	EC25 1-1/4 COUPLING
IPEEE2590	EE2590 1-1/4"X90DEG PVC ELBOW W/BELL END
IPEEJ25	EJ25 EXPANSION JOINT 1/1/4INCH 2019-012
IPEFA25	FA25 FEMALE ADAPTER 1- 1/4
IPEJBA25	JBA25 JUNCTION BOX ADAPTER 1-1/4 INCH
IPEPS25	PS25 PVC PIPESTRAP 1 1/4 IN
IPESLB40S	SLB40S FITTING 1-1/4 IN
IPETA25	TA25 TERM ADAPTER 1-1/4IN



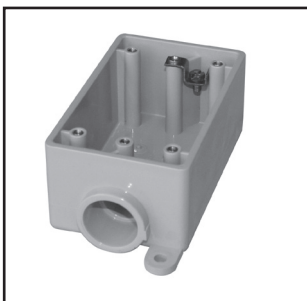
2 INCH

IPEPVC2X10	2 RIGID PVC CONDUIT 10FT
IPEEC35	EC35 2IN COUPLING
IPEEE3590	EE3590 2IN PVC ELBOW
IPEEJ35	EJ35 EXPANSION JOINT 2IN
IPEFA35	FA35 FEMALE ADAPTER 2IN
IPEJBA35	JBA35 JUNCTION BOX ADAPTER 2 INCH
IPEPS35	PS35 PIPE STRAP 2 IN
IPESLB60S	SLB60S FITTING 2IN
IPETA35	TA35 TERM ADAPTER 2IN



BOXES

IPEFS10	FS10 BOX 1/2IN
IPEFS15	FS15 BOX 3/4 IN
IPEFSS10	FSS10 1/2IN BOX 1GANG
IPEFSS15	FSS15 3/4IN BOX 1GANG
IPEFSC10	FSC10 1/2 BOX
IPEFSC15	FSC15 3/4 IN BOX
IPEJBX442	JBX442 4X4X2 NEXT GEN PVC JUNCTION BOX
IPEJBX552	JBX552 5X5X2 NEXT GEN PVC JUNCTION BOX
IPEJBX664	JBX664 6X6X4 NEXT GEN PVC JUNCTION BOX
IPEJBX887	JBX887 8x8x7 NEXT GEN PVC JUNCTION BOX
IPEJBX12124	JBX12124 12x12x4 NEXT GEN PVC JUNCTION BOX
IPEJBX12126	JBX12126 12x12x6 NEXT GEN PVC JUNCTION BOX





FREE CUTTER

Get a FREE Cor-Line
ENT Cutter [1/2" to 1"]
for every \$1,000.00
spent on any Cor-Line
products!

Maximum of 5 cutters.

Product Code: CLC20



Receive a FREE IPEX T-shirt
with any purchase in branch
while quantities last!



Nedco West Branches

BRITISH COLUMBIA

LANGLEY	(604) 530-0771	langley@nedco.ca
NANAIMO	(250) 756-1177	nanaimo@nedco.ca
NORTH VANCOUVER	(604) 985-0466	north.vancouver@nedco.ca
PENTICTON	(250) 492-8365	penticton@nedco.ca
PRINCE GEORGE	(250) 563-1292	prince.george@nedco.ca
QUESNEL	(250) 992-6008	quesnel@nedco.ca

RICHMOND	(604) 273-2244	richmond@nedco.ca
VANCOUVER	(604) 899-0229	vancouver@nedco.ca
VERNON	(250) 545-5391	vernon@nedco.ca
VICTORIA	(250) 383-1116	victoria@nedco.ca
SURREY	(604) 501-2244	surrey@nedco.ca

ALBERTA

CALGARY	(403) 508-7999	calgary@nedco.ca
EDMONTON	(780) 465-9511	edmonton@nedco.ca
FORT MCMURRAY	(780) 743-3461	ftmcmurray@nedco.ca

RED DEER	(403) 348-5162	red.deer@nedco.ca
-----------------	----------------	--

MIDWEST

REGINA	(306) 525-2531	regina@nedco.ca
SASKATOON	(306) 653-5020	saskatoon@nedco.ca

WINNIPEG	(204) 694-1313	winnipeg@nedco.ca
-----------------	----------------	--

